

NORITSU

LS-Series Film Scanners

Versatile Film Scanning Solution

The LS Series Scanners are high quality, high capacity film scanners that handle 35mm and IX-240 film types. A TWAIN driver is included as a standard feature. This allows the unit to be connected to a PC and used as a stand-alone scanner.

The LS Series Scanners can also be used in a minilab configuration when connected to a PC with EZ Controller Software and a Noritsu digital printer (available separately).

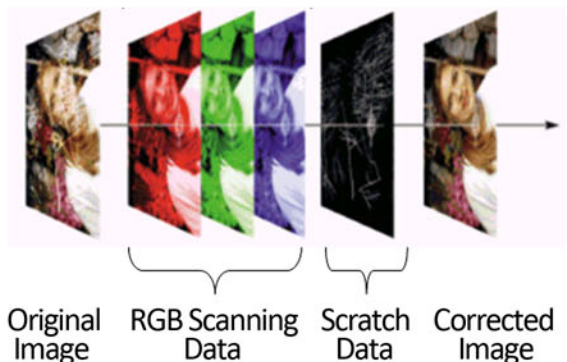
The LS Series Scanners use a reliable LED light source and a simple USB 2.0 connection.

Easy and Efficient Film Handling

Film handling is simplified with the standard 135/240 Automatic Film Carrier. This Film Carrier supports IX-240 film as well as full format, half frame and panoramic 35mm film. It supports not only color negative film, but also color positive, chromogenic B&W and B&W film. This Film Carrier also supports the scanning of single 35mm frames.

Digital Ice Technology

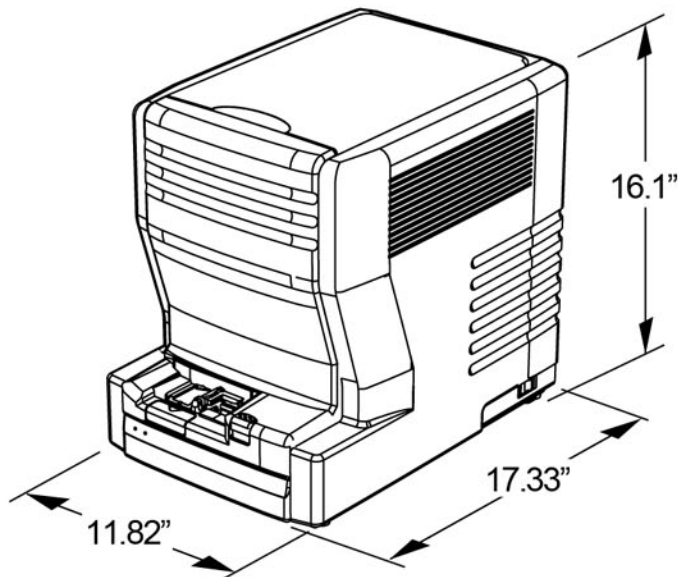
Digital Ice Technology corrects dust and scratches on the base layer of film. This is included as a standard feature. Digital Masking, which corrects dust and scratches on the emulsion layer of film, is also included with the LS Series Film Scanners.



	LS-600, LS-1100	HS-1800
Light source	LED	LED
Main scanning	Line input via line CCD	Line input via line CCD
Sub-scanning	Film movement	Strip film: Film movement Mounts: Carrier movement
Interface	USB 2.0 (B type) ※ USB cable (A to B 2m) is a standard accessory	USB 2.0 (B type) ※ USB cable (A to B 2m) is a standard accessory

■ Scanning capacity

Types of film	Approximate print size ※2	Scanning resolution (Pixels)	(Approximate) Capacity (frames/hr) ※1	
			LS-600	LS-1100
135F (24exp)	89 x 127	1002 x 1512	660	1220
	102 x 152	1002 x 1512	660	1220
	127 x 178	2005 x 3024	360	430
	305 x 457	4011 x 6048	74	110
IX240C (25exp)	89 x 127	1358 x 2039	430	690
	102 x 152	1358 x 2039	430	690
	305 x 457	2717 x 4078	160	200



Film formats	Film types	Sizes
135	Negative/ Positive/ B&W/ Sepia/ B&W (Chromogenic)	135F, 135H, 135P, 135FP/FPS
IX240	Negative/ Positive/ Sepia (Chromogenic)	IX240

Noritsu America Corporation
 6900 Noritsu Avenue, Buena Park CA 90620
 714-521-9040 - sales@noritsu.com
 www.noritsu.com